

Solid Plastic



Headrail Braced standard

Headrail Braced units are a popular choice for old or new buildings. The floor mounted, headrail braced compartments are especially recommended where heavy use is a factor. The durability of solid plastic makes it ideal for schools, prisons, airports, arenas, recreation facilities, and industrial installations.

hadrian
toilet partitions & lockers

www.hadrian-inc.com

Material Specifications

1.01 Construction

Doors, panels and pilasters shall be polypropylene solid polymer resin. Polypropylene's self-lubricating surface is resistant to marking and can be maintained effectively with ordinary household cleaners. Material is ideal for toilet partition installations, especially in high abuse environments.

1.02 Doors

Shall be (25mm) 1" thick by (1397mm) 55" high straight cut with fine radius edges.

1.03 Panels

Shall be (25mm) 1" thick by (1397mm) 55" high straight cut with fine radius edges.

1.04 Pilasters

Shall be (25mm) 1" thick by (2083mm) 82" high straight cut with fine radius edges.

1.05 Headrail

Shall be 32mm (1.25") by 44mm (1.75") extruded anodized aluminum with anti-grip design. Wall thickness to be 1.5mm (0.060") and shall be securely attached to wall and pilasters with manufacturer's fittings in such a way as to make a rigid installation. All joints in headrails shall be made at a pilaster.

1.06 Pilaster Fastening Method

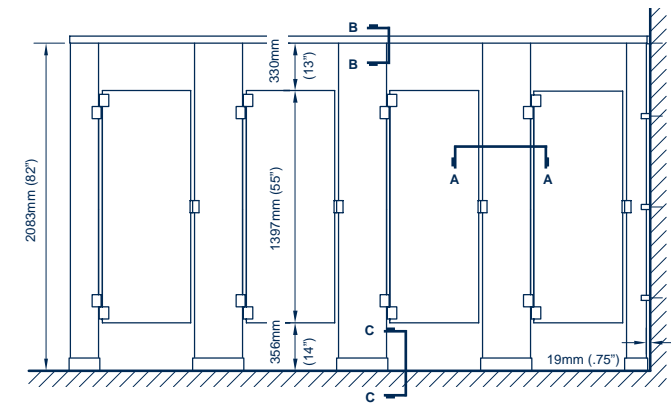
Pilasters shall be securely and rigidly fastened to the floor on vertically adjustable floor brackets. The floor fastening shall be concealed and protected by a 4" (102mm) high solid plastic pilaster shoe. Three heavy-duty aluminum brackets shall be used at the pilaster to wall connection.

1.07 Hardware & Fittings

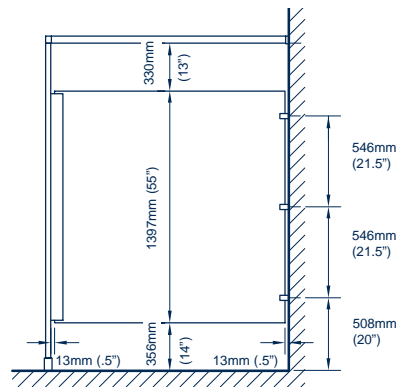
Doors are installed with 1/8" thick heavy extruded clear anodized aluminum hinges, which wrap around both the door and pilaster. Hinges are fastened to door and pilaster with tamper-proof 6-lobe security head stainless steel thru-bolts and fastened to the edge of the door and pilaster with a #10 x 1" screw. Top hinges have adjustable nylon cams. Strike-keeper and throw latch are extruded clear anodized aluminum. Three heavy-duty aluminum brackets are used at the panel to wall connection and a full-height continuous aluminum channel is used at the panel to pilaster connection. Hadrian's unique designer coat hook & bumper features a solid cast zinc hook and oversized black rubber bumper that functions as both a door stop and bag hook. Fasteners are theft-proof 6-lobe security head stainless steel screws. Hadrian hardware meets ADA and CHC requirements.

1.08 Finish

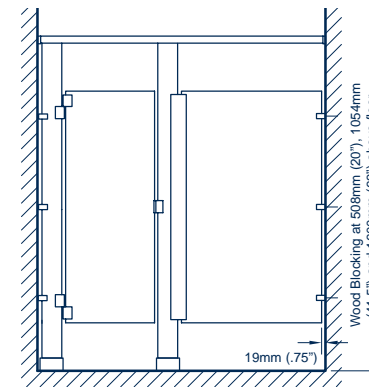
Doors, panels, and pilasters shall be constructed of solid polypropylene polymer resin with matte finish and uniform color throughout. Color shall be as selected from Hadrian's Color Selector.



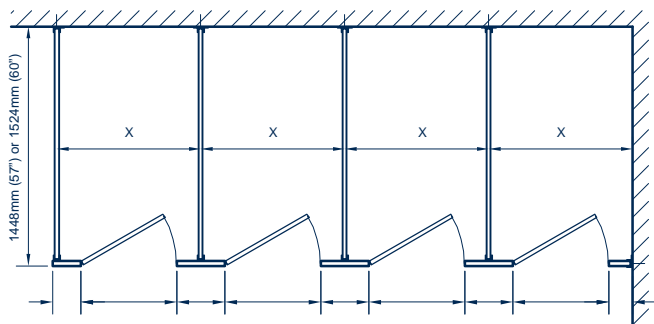
front elevation



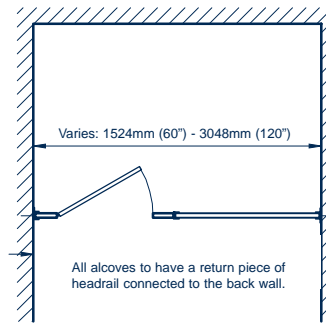
side elevation



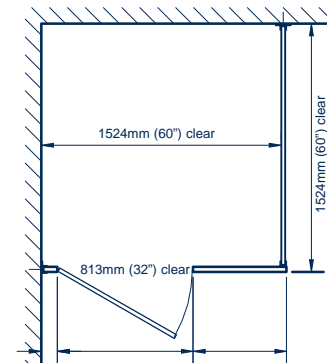
alcove elevation



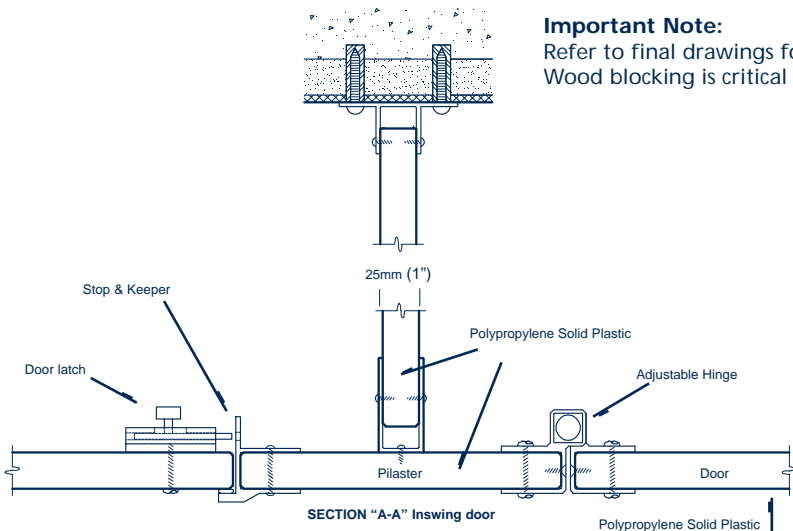
plan



alcove plan



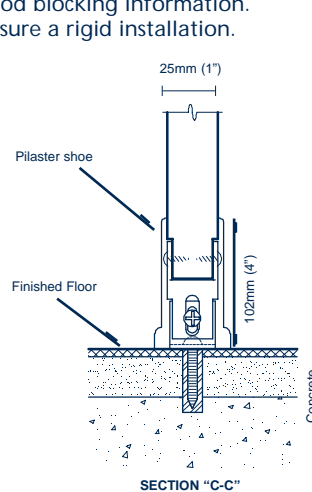
barrier-free plan



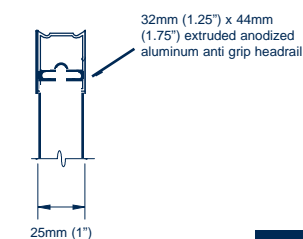
plan detail

Important Note:

Refer to final drawings for wood blocking information. Wood blocking is critical to ensure a rigid installation.



section detail



SECTION "B-B"

Component Sizes

Door Widths:

- 610mm (24")
- 864mm (34")
- 914mm (36")

Note: All doors are 1397mm (55") high.

Panel Widths:

- 610mm (24")
- 864mm (34")
- 1168mm (46")
- 1321mm (52")
- 1397mm (55")
- 1473mm (58")
- 1524mm (60")

Note: All panels are 1397mm (55") high.

Pilaster Widths:

- 76mm (3")
- 102mm (4")
- 127mm (5")
- 152mm (6")
- 203mm (8")
- 254mm (10")
- 305mm (12")
- 457mm (18")
- 584mm (23")

Note: All pilasters are 2083mm (82") high.

Custom sizes available

Hadrian Manufacturing Inc.,
 965 Syscon Road, Burlington, Ontario
 L7L 5S3 Canada
 tel: 905-333-0300 fax: 905-333-1841
 Canada toll free fax: 1-888-817-7701

Hadrian Inc.
 7420 Clover Avenue, Mentor, Ohio
 44060 U.S.A.
 tel: 440-942-9118 fax: 440-942-9618
 U.S.A. toll free fax: 1-800-536-1469