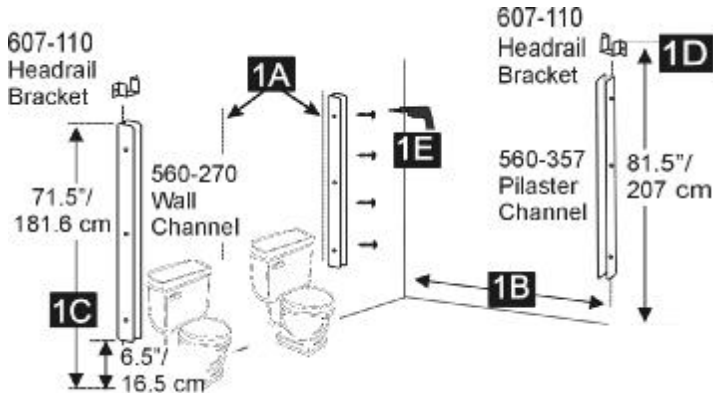


STEP (1) - INSTALL WALL MOUNTED CHANNELS AND HEADRAIL BRACKETS

1A. Establish the center line of the wall channels by measuring the halfway point between toilet bowls. Mark a vertical line for these locations.

1B. Establish the center line of the pilaster channel. From the back wall, measure the overall depth of the units, less 0.625" (16 mm) and mark a vertical line on the wall.

1C. Measure the location for the top and bottom of each channel at 71.5" (181.6 cm) and 6.5" (16.5 cm) from the floor, and mark this on the vertical line. Position the channels on these locations and mark for drilling.



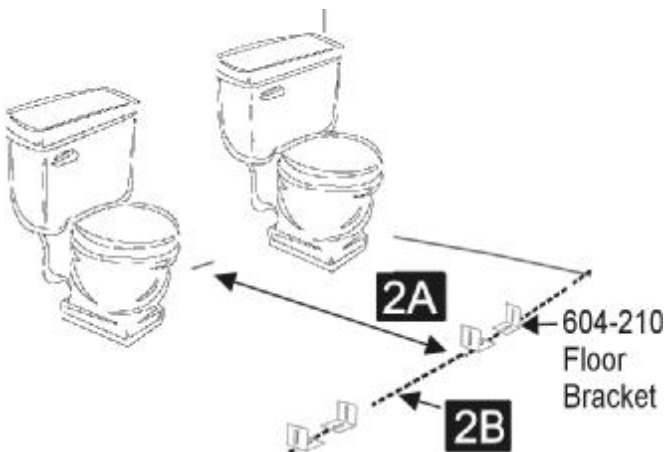
1D. Headrail brackets are located on the side and back wall where the headrail will terminate. Measure 81.5" (207 cm) from the floor on the appropriate vertical line. Place the top of the bracket on this line and mark for drilling.

1E. Fasten the channels and brackets to the walls using a .25" carboloy drill bit, #25 rawl plugs and #12 x 1.5" (38 mm) pan socket head sheet metal screws.

STEP (2) - INSTALL FLOOR BRACKETS

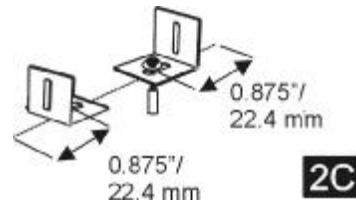
2A. Establish a chalk line parallel to the back wall that equal the overall depth of the units less 0.625" (15.7 mm).

2B. Starting at the wall end, mark the clearance between the wall and the pilaster, the width of the pilaster, the width of the door and so on, for the balance of the units.



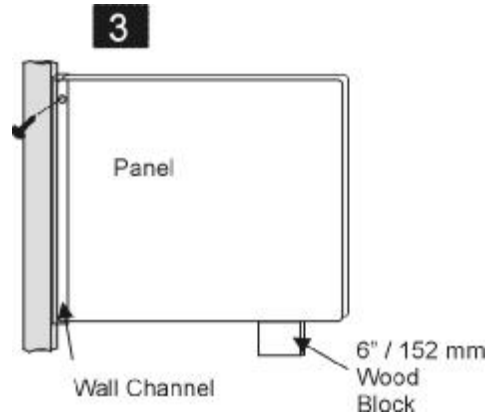
STEP (2) - CONTINUED

2C. Establish floor bracket anchoring centers. Measure 0.875" (22.4 mm) from the outside edges of the pilaster location towards the centre of the pilaster. Fasten the floor brackets to the floor using a .25" carboloy drill bit, #25 rawl plugs and #12 x 1.5" (38 mm) pan socket head sheet metal screws.



STEP (3) - INSTALL PANELS

3. Place the 6" (152 mm) high wooden block between the toilet bowls. Rest the panel on the block and position it into the wall channel. Allow the clearance between the wall and panel as indicated on the shop drawing. Drill one hole in the top of the channel. Fasten with #12 x .625" (15.7 mm) Robertson head screw and tighten. Repeat for each panel.



STEP (4) - INSTALL WALL PILASTER

4A. Place the stainless steel pilaster shoe on the wall mounted pilaster. Let the pilaster into the pilaster channel and position it on the floor brackets.

4B. Install the 0.25" -20 x 0.5" bolt, nut and washer assemblies. Plumb the pilaster and tighten bolt, nut and washer assemblies. Secure the pilaster to the pilaster channel. NOTE: the locking bar extension fits over the floor bracket assembly. The leveling bolt engages the slotted hole in the bracket and the hole in the locking bar extension.

